

Floor Heating Thermostats – Data Sheet

PRODUCT INFORMATION AND SPECS

Warmzone electronic thermostats are specifically designed to control electric radiant floor heating systems for maximum comfort and minimum power consumption. Developed for the modern home, the programmable thermostat features a large back-lit display and simple user interface. The system temperature is controlled by an external or built-in floor sensor.

CTW Touch Floor Sensing Programmable Thermostat

An “all-in-one” programmable thermostat for electric under floor heating control where optimal comfort temperature and minimum energy consumption is required. The thermostat includes a floor sensor with 10-foot (3-meter) cable.

Features Include:

- 3.5-inch color screen with easy interactive touch control
- Intuitive programmable control with built-in wizard
- New easy scheduling method and even easier on the fly changes
- Track power consumption and save it to a PC with a few simple steps
- Thermostat settings can be exported to web page for support
- Universal compatibility with existing floor heating sensors
- Suitable for tile, stone, laminate, concrete and wooden floor
- Energy log – power logging is easily stored to your computer by use of QR technology
- 5-year battery backup of clock and calendar
- WIFI enabled model available (optional)

TECHNICAL DATA

Supply	120/240 Vac 50/60 Hz
Load	15A maximum (resistive load)
Power	1,800 W at 120 Vac 3,120 W at 208 Vac 3,600 W at 240 Vac
GFCI	Class A (5 mA trip level)
Temperature range	+41 to +104°F (+5 to +40°C)
Floor limit range	+41 to +104°F (+5 to +40°C)
Floor protection (laminate/wood)	82°F (27.5°C)
Floor protection (tile)	88°F (31°C)
Ambient temperature range	+32 to +104°F (0 to +40°C)
On/Off differential	0.7°F (0.4°C)
Regulation principle	PWM / PI
Housing	IP20
Floor sensor type	NTC (10 KΩ) 15 ft. (4.5 m.)
Dimensions (H/W/D)	5.1x3.2x0.8 inch (130x82x20mm)
Wall box (H/W/D)	3"x2"x2"
Display	3.5-inches, 65k color
Touch	Resistive
Programmable events	1- 6-event per day
WLAN*	802.11 b/g/n WLAN module. port 80 access



* WIFI enabled model optional.

CTW Dual Sensing Programmable Thermostat

The programmable thermostat with dual sensors is a complete programmable thermostat for electric under floor heating control where optimal comfort temperature and minimum energy consumption is required.

Features Include:

- Simple user interface and thoughtful installation design
- Includes two sensors: a built-in air sensor (to measure room temperature) and a floor sensor with 10-foot (3-meter) cable to measure actual floor temperature.
- Serves as single thermostat for all applications (room, floor, room with floor limitation and as regulator)
- Pre-programmed for quick setup
- Monitored energy consumption
- Simple operation (Easy to use)
- Multi voltage: 120-240 VAC (includes 208 VAC)
- Output relay: 15A
- Large back-lit display for easy reading
- Class A GFCI for wet room installation



TECHNICAL DATA

Supply	120/240 Vac 50/60 Hz
Load (Output relay)	15A maximum (resistive load)
Power	1,800 W at 120 Vac / 3,600 W at 240 Vac
GFCI	Class A (5 mA trip level)
Temperature range	+41 to +104°F.(+5 to +40°C)
Floor limit range	+41 to +104°F.(+5 to +40°C)
Amb. Temp. range	+32 to +104°F (0 to +40°C)
Clock function	4-event program
On/Off differential	0.7°F (0.4°C)
Regulation principle	PWM / PI
Housing	Nema 2 (IP21)
Floor sensor type	NTC (12 KΩ) 10 ft. (3 m)
Dimensions(H/W/D)	4.8x3x1-inch (123x75x25mm)



CTW Power Module Slave Relay

For large floor heating applications, the Power Module Slave Relay can be extended with additional Power Relay Modules. The PRO Slave Relay module features a built-in Class A GFCI and increases output by 15 amps per module. Output can thus be increased by 15A per module.

- Easy to use
- Screw terminals for safe and easy installation
- For use only with the CT Programmable Thermostat
- Multi voltage: 120-240 VAC (includes 208 VAC)
- Output relay: 15A
- Maximum load 1,800 Watts at 120Vac
3,600 Watts at 240Vac
- Class A GFCI (suitable for wet room installation)
- Fits single-gang (2-inch box). Double-gang (4-inch box) is recommended for more room to work with multiple mats.



CTW Digital/Non-programmable Thermostat with Floor Sensor

Optimal comfort in controlling electrical under floor heating. Built on efficiency, intuitive operation and with a stylish design. Includes floor sensor with 10-foot (3-meter) cable.

Features Include:

- Multi voltage: 120-240 VAC (includes 208 VAC)
- Large back-lit display for easy reading
- Class A GFCI: suitable for wet room installation
- Maximum temperature function to protect wood floors
- Thermostat with integrated GFCI (updated to latest UL standard (2015))
- Embedded sensor for ambient temperature control
- Floor sensor and floor protection
- Temperature scale in Fahrenheit or Celsius
- Energy log for tracking power consumption
- Real time clock (12-hour or 24-hour format)
- Ability to control secondary relays
- Available in an EGFPD (15mA) variant
- Sleek design – patent pending

TECHNICAL DATA

Supply	120/240 Vac 50/60 Hz
Load (Output relay)	15A maximum (resistive load)
Power	1,800 W at 120Vac 3,120 W at 208 Vac 3,600 W at 240 Vac
GFCI	Class A (5 mA trip level)
Temperature range	+41 to +104°F.(+5 to +40°C)
Floor limit range	+41 to +104°F.(+5 to +40°C)
Floor protection (laminated/wood)	82°F (27.5°C)
Floor protection (tile)	88°F (31°C)
Amb. Temp. range	+32 to +104°F (0 to +40°C)
On/Off differential	0.7°F (0.4°C)
Regulation principle	PWM / PI
Housing	IP20
Floor sensor type	NTC (10 KΩ) 15 ft. (4.5 m)
Dimensions(H/W/D)	5.1x3.2x0.8-inch (130x82x20mm)
Wall box (H/W/D)	3x2x2-inches (76.2x50.8x50.8mm)



STEP Touch® Thermostat

The STEP Touch® thermostat saves energy and allows you to maintain the radiant floor heating system to the desired temperature level. The heating element is self-regulating and cannot overheat; therefore it is as if you had a sensor over the whole floor surface.

Features Include:

- Clean, simple two control design for ease of operation
- Three digit auto-dimmable LED display
- Touch sensor controls that are maintenance free
- Elegant stainless steel perimeter housing
- Displays in Fahrenheit or Celsius
- Clear, totally flat acrylic surface for a clean contemporary look that works well with any decor
- Interfaces to an external temperature sensor
- Works with warm floors, snowmelt and roof deicing systems
- Standard colors: black and white. (Custom colors available at additional cost.)
- Capable of interfacing with smart home systems
- No batteries needed. All settings are stored in permanent memory for instant recovery in the event of a power failure.
- The logo is illuminated when the system is heating
- Green friendly low power design

TECHNICAL DATA

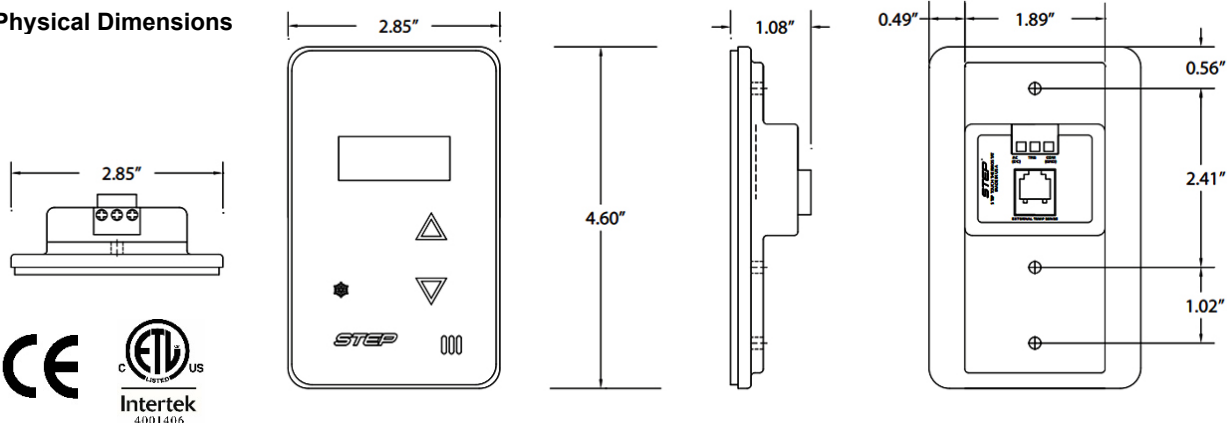
Set Range	40° to 90°F (4° to 32°C)
Internal Ambient Temperature Range	0° to 99°F, +/-1°F (-9° to 37°C, +/-0.5°C)
External Sensor Temperature Range	0° to 99°F (-9° to 37°C)
Snowmelt Mode Set Temperature Range	32° to -41°F (0° -5°C)
Power	9-24V AC/DC @ <10mA (without external temperature sensor)



Mechanical Features

External (Front)	3 Digit Auto-Dimmable LED Display (e.g.: 70°F)
	UP Touch Switch (not membrane switch)
	DOWN Touch Switch (not membrane switch)
External (Rear)	3 Position Terminal Block (AC/DC, TRG, COM)
	6 position 6 Contact Modular Jack
Internal (DIP Switch)	Fahrenheit/Celsius Switch (C/F)
	AutoDim Switch (DIM)
	External Temperature Sensor Mode Switch (EXT) Snowmelt Mode Switch (SM)

Physical Dimensions



WARRANTY INFORMATION

Thermostats: Please contact Warmzone for manufacturer warranty information.

Warmzone can accept no responsibility for possible errors in catalogs, brochures, other printed materials, and website information. Warmzone reserves the right to alter its products without notice. This also applies to products already on order provided that such alteration can be made without subsequent changes being necessary in specifications already agreed upon.