

Thermostat Data Sheet

LED WiFi Floor Heating Thermostat – Data Sheet

PRODUCT INFORMATION

Warmzone's advanced LED WiFi Touch thermostats are designed to control electric radiant floor heating systems for maximum comfort and minimum power consumption. The Bluetooth®, WiFi and Cloud features allow homeowners to remotely adjust and monitor their floor heating system. The thermostat features an easy-to-use interface with LED-backed touch display, and is voice control compatible with Amazon Alexa, and with Google Assistant-enabled devices.

Key Features Include:

- Sleek design complements existing decor
- Bluetooth®, WiFi and Cloud connected
- Voice control compatible with Amazon Alexa and with Google Assistant-enabled devices
- Easy and intuitive setup by a wizard
- Direct local control through Bluetooth®
- LED display. Light intensity is increased during use, and dimmed or turned off when not being used.
- Capacitive touch allows direct control of thermostat
- Simple on-thermostat control. Adjust set-point, change operation mode, turn on/off
- GFCI protected (with test button)
- Display readouts of temperature, set point, time, heating status, errors, and WiFi status
- Regionalization (language, unit, time, and date)
- Allows up to 10 different schedules and overrides (manual mode, hold for X hours, vacation mode, frost protection, and eco mode)
- Adaptive function, open window function, application type, sensor adaption, user lock, and calibration
- Suitable for vinyl, tile, laminate, and wooden floors



Remote Accessibility

With LED WiFi touch thermostats, users can remotely adjust and monitor their thermostats. The thermostats can be accessed locally through Bluetooth® and virtually anywhere when connected to the cloud service through WiFi. Users can control the thermostat using just their voice with Amazon Alexa or Google Assistant-enabled devices.

Smart Installation Via App

An intelligent WiFi thermostat simplifies installation, program setting, and operation. The app guides the installer and end-user through the few necessary steps to ensure the correct installation and operation of the thermostat. The thermostat can also be set up without app.

Security

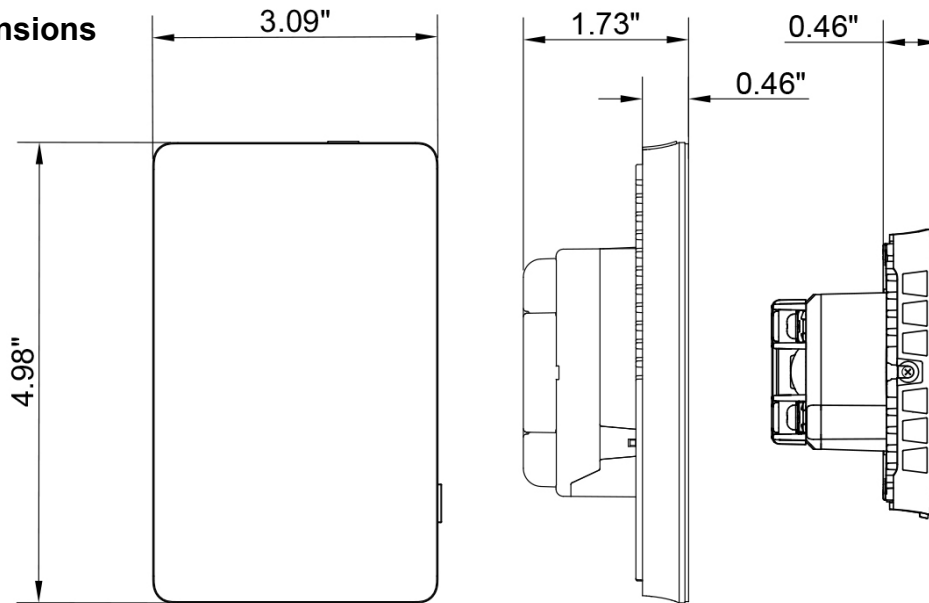
The LED WiFi thermostat transmits encrypted data securely via TLS 1.3. This latest state-of-the-art encryption technology allows faster and more secure connections. For your WiFi connection, take advantage of the secure and comprehensive WPA3 protocol.

Sleek Design

The thermostat is available in an elegant white design with a plain surface. It has a discrete look and fits to most wall decorations.

Thermostat Data Sheet

Dimensions



c UL us listed according to the following standards:

UL file number: E157297
Thermostat: UL 60730-2-9
CSA E60730-2-9
GFCI: UL 943 5th ed.
CSA C22.2 No.144.1-16 2nd ed.

Connectivity

Voice control with Google Assistant-enabled devices, and compatible with Amazon Alexa.

- Bluetooth® – Direct control of the thermostat. WiFi routers or internet connections are not required.
- Cloud connection through a WiFi internet router grants access from anywhere.

Control the Power Your Way

The installation wizard is your guide. In its default setting, the thermostat controls room temperature with floor temperature protection. Settings allow you to adjust the floor sensor to your preferences. The custom sensor setting allows you to use other commonly installed floor sensors instead of the included one. With the floor protection feature, you can select a maximum temperature for laminate, wood, or tile floors. You can determine if you want the heating to start at a specific time or the room to be warm at an exact time. The heating can always be stopped if it passes the set threshold. It's simple: just follow the wizard.

Warmzone can accept no responsibility for possible errors in catalogs, brochures, other printed materials, and website information. Warmzone reserves the right to alter its products without notice. This also applies to products already on order provided that such alteration can be made without subsequent changes being necessary in specifications already agreed upon. Google, Android and Google Home are trademarks of Google LLC. Google Assistant is not available in certain languages and countries. Amazon is trademark of Amazon.com Inc. or its affiliates.

TECHNICAL DATA

Supply	120/208/240 VAC 50/60 Hz
Load	15A maximum (resistive load)
Power	1,800 W at 120 VAC 3,120 W at 208 VAC 3,600 W at 240 VAC
GFCI	Class A (5 mA trip level)
Temperature range	+41 to +104°F (+5 to +40°C)
Floor limit range	+41 to +104°F (+5 to +40°C)
Floor protection (laminate/wood)	82°F (27.5°C)
Floor protection (tile)	104°F (40°C)
Ambient temp range	+32 to +104°F (0 to +40°C)
Regulation principle	PWM / PI
Enclosure rating	IP20
Floor sensor (included)	NTC (10 KΩ) 15 ft. (4.5 m.)
Room sensor	Embedded
Dimensions (H/W/D)	4.98"/3.09"/0.46" (126x78x12mm)
Wall box (H/W/D)	3"x2"x2"
Display	LED light through
Touch	Capacitive buttons
WLAN	802.11 n WiFi module
Security	TLS 1.3
Supporting	USG-4000
WiFi	IEEE 802.11 b/g/n
Wifi Encryption	WPA, WPA2, WPA3
Bluetooth	Version 4.2 (BDR/EDR/BLE)
Contains FCC ID	XPYNINAW106
Contains IC ID	8595A-NINAW106