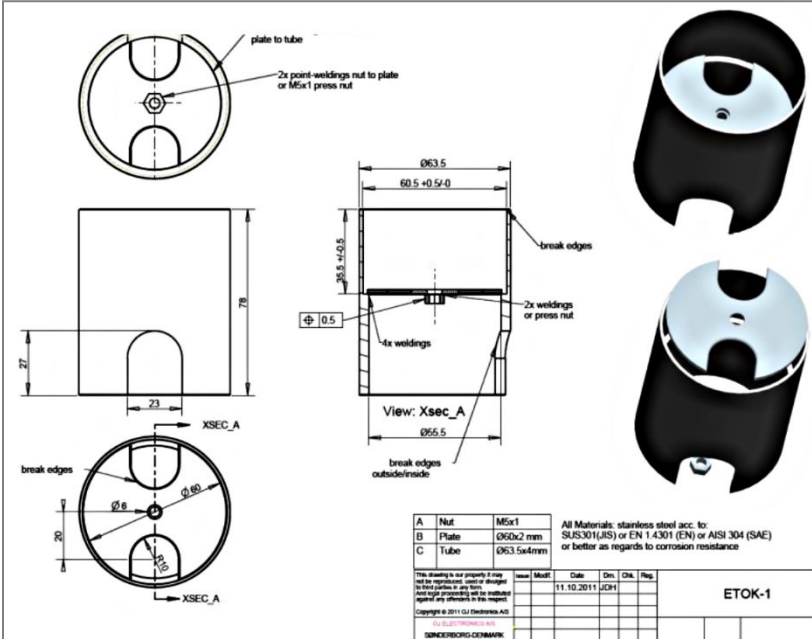


# Ground Sensor for Ice and Snow Melting

ETOK-1 and ETOG-56 ground sensor and kit for ice and snow melting (below).



The sensor is easily installed in the cradle (cup). The power cord extends out from the bottom of the cup.



The ETOG-55 remains as the cost effective option with 33 feet (10 meters) of cable. The ETOG-56 is delivered with 82 feet (25 meters) of cable. The cable can easily be run the cable pipe when a lead/pull wire has been installed.



The sensor is delivered with a wood plug/cover to protect the hole when, for example, asphalt or concrete is being poured.